



# Plus

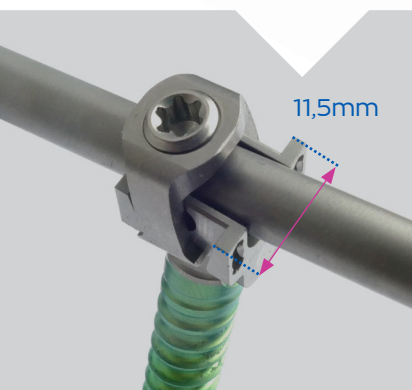
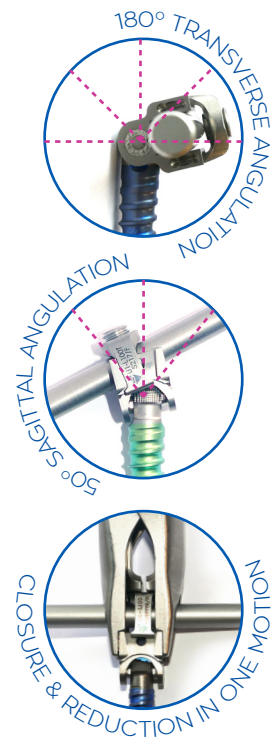
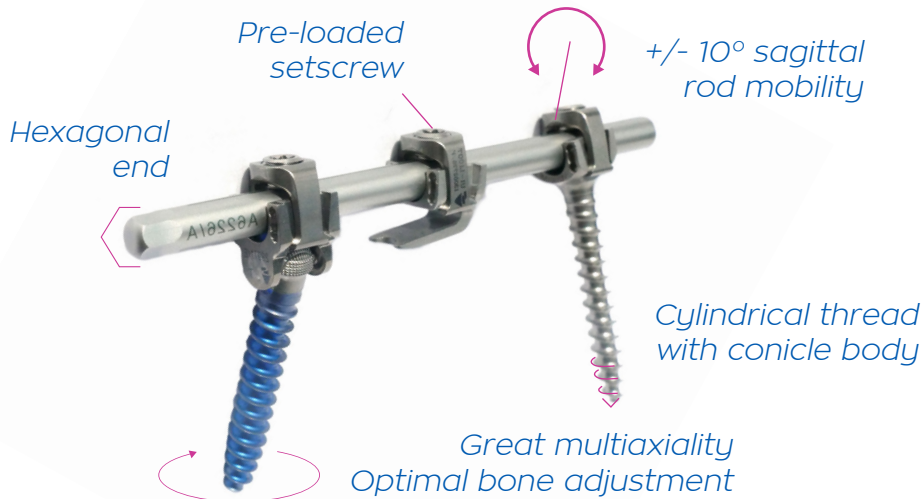


Low profile screws providing high correction strength  
Rod reduction & clip introduction in one fluid motion

# PLUS™ FEATURES & BENEFITS

## Innovative system with secured implant closing & optimum rod mobility :

- Audible « click » to confirm the implant closure with the clip
- Great freedom in correction maneuvers
- No stress transmitted to the implant during the reduction



## Low profile implants and pivot link system reduces bulkiness for paediatric application :

- Assembly adapts itself to the patient anatomy thanks to the  $\pm 10^\circ$  sagittal mobility of the rod in the implant saddle
- Low volume screw head coupled with  $\varnothing 6$ mm rod for high correction strength
- Large choice of specific connectors for iliac and sacro-iliac fixations

## Large range of implants to perform the best assembly according the case:

### Rods

- Malleable (pure Ti) : 420 & 600mm
- Rigid (TA6V Alloy) : 40 to 90 mm  
250, 420 & 600mm
- Cobalt chromium : 40 to 90mm  
250, 420 & 600mm

### Multi & monoaxial screws

- $\varnothing 4,5$ mm : Length 20mm to 45mm
- $\varnothing 5,5$ mm : Length 20mm to 50mm
- $\varnothing 6,5$ mm : Length 25mm to 60mm
- $\varnothing 7,5$ mm : Length 25mm to 90mm
- $\varnothing 8,5$ mm : Length 30mm to 90mm

### Hooks and connectors

- 13 types of hooks (pedicle, laminar, offset...)
- Rod to rod connectors (axial, dual...)
- Multi-axial or fixed crosslink

### Special fixations & connectors

- Sacral plates & screws  
 $\varnothing 6$ mm, length 30 to 45mm
- Ilio sacral connector & screws  
 $\varnothing 7$ mm, length 50 to 70mm
- Lateral connectors : open or closed



Distributed by



SPINEVISION  
10 Rue de la Renaissance  
92160 ANTONY - FRANCE  
Phone : +33 1 53 33 25 25



See package insert  
for labeling limitation

[www.spinevision.net](http://www.spinevision.net)

Non contractual document  
GUI-L\_04GB